

# ECONOMY GAUGES

U.S. Patent No. 7,216,441 & Foreign Patents Pending

Our 3 most popular gauges at a lower cost to you

## ECO-SG

Economy Step Gauge



## ECO-GAPSG

Economy Gap & Step Gauge

## ECO-RIVSG

Economy Rivet & Step Gauge



# RIVET & STEP GAUGE

U.S. Patent No. 7,216,441 & Foreign Patents Pending

- Measures panel flush, rivet heights & weld heights
- Ideal tool for the aerospace or auto industry
- Converts to measure step height
- Great as a high speed, accurate go no go gauge
- Transfer data to an ASI Datamyte® or LMI Data Collector® or laptop

Rivet Gauge Position



Transforms to a Step Gauge!



## Specifications:

RIVET GAUGE STATS (RIVET POSITION)

Measuring Range:	0 to 5mm / 0 to 0.1970in.
Max Rivet Diameter:	12.7mm / 0.5000in.
Resolution:	0.01mm / 0.0005in.
Accuracy:	± 0.02mm / 0.001in.
Repeatability	0.01mm / 0.0005in.

# APPLICATIONS INCLUDE

## Aerospace

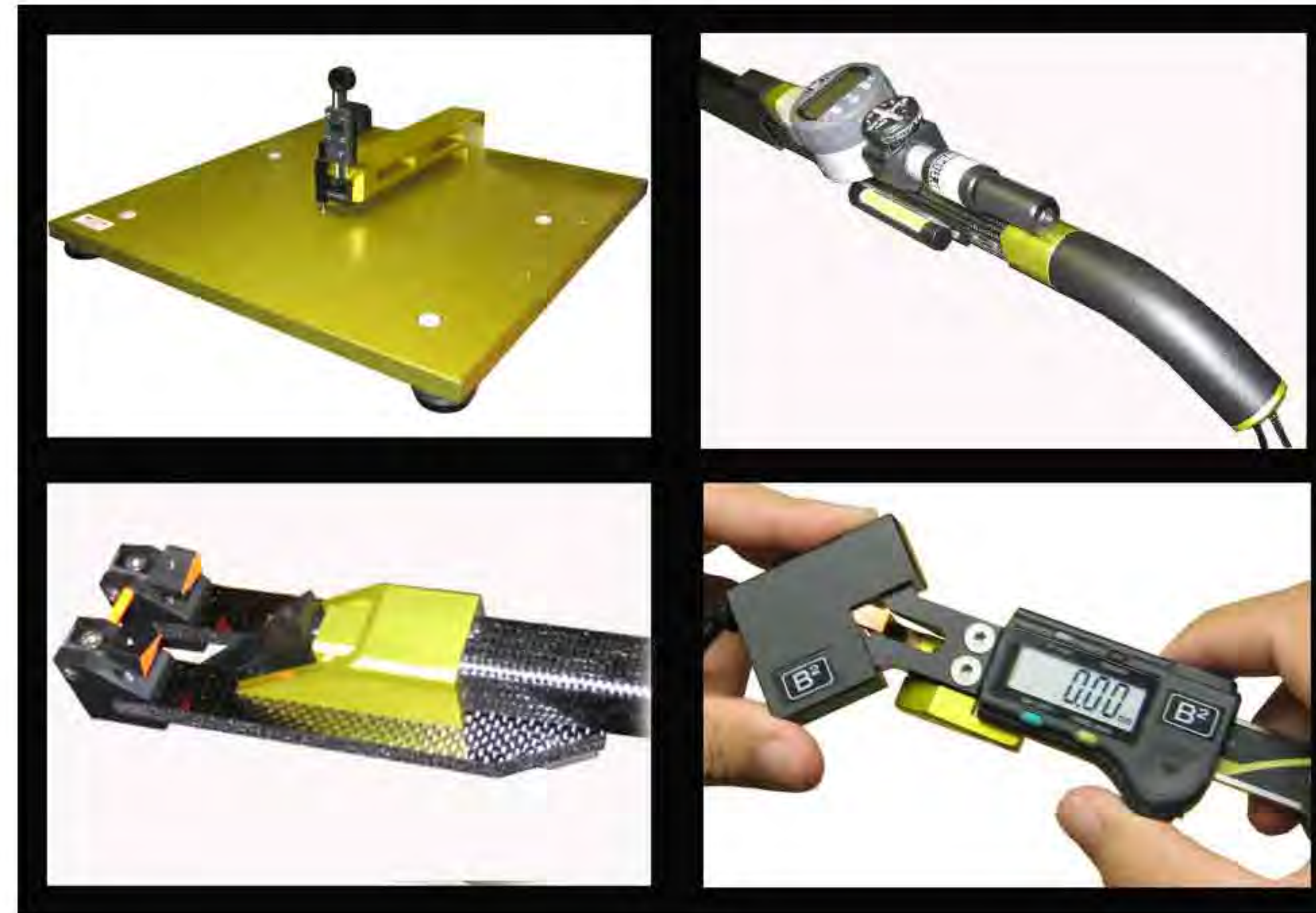
- External body panels
- Composite panels
- Doors, hatches and other openings
- Carbon fibre layering
- Measurements to jigs and fixtures

## Automotive

- Final assembly / painted vehicles
- Body in white / unpainted vehicles
- Ring gauges and checker blocks
- Dashboards, consoles, plastic trim
- Weld heights

# CUSTOM GAUGES

Many of the gauges we produce are customized per our customers' request. We welcome these orders.



- Gap
- Flush
- Step
- Mismatch
- Fasteners & Rivets
- Weld Heights
- Seals



Providing industries with accurate, high quality, and cost effective measuring solutions



B-Squared Grip Gauge  
Patent Pending

- Gap
- Flush
- Step
- Mismatch
- Fasteners & Rivets
- Weld Heights
- Seals

## B-SQUARED INSTRUMENTS, LLC

1395 Primrose Lane DeWitt, Michigan 48820

Toll-Free 800-337-7140

Tel: (517) 256-6124

Fax: (480) 275-3902

E-mail: [sales@stepgauge.com](mailto:sales@stepgauge.com)

[www.stepgauge.com](http://www.stepgauge.com)

B-SQUARED INSTRUMENTS, LLC

DeWitt, Michigan 48820

Toll-Free 800-337-7140

Tel: (517) 256-6124

[www.stepgauge.com](http://www.stepgauge.com)



# CHECK FIXTURE MINI

U.S. Patent No. 7,216,441 & Foreign Patents Pending

- Designed 40mm shorter for use with checking fixtures
- Includes extra base and replaceable contact points
- Measures gap and flush
- Stable on flat or uneven surfaces
- LMI gauge replacement
- One hand operation
- Non-Marring



CFM-095

## Specifications:

Flush Measuring Range: -5mm to +5mm  
 Gap Measuring Range: 1mm to 10mm  
 Resolution: 0.01mm / 0.0005in.

# GAP & STEP GAUGE

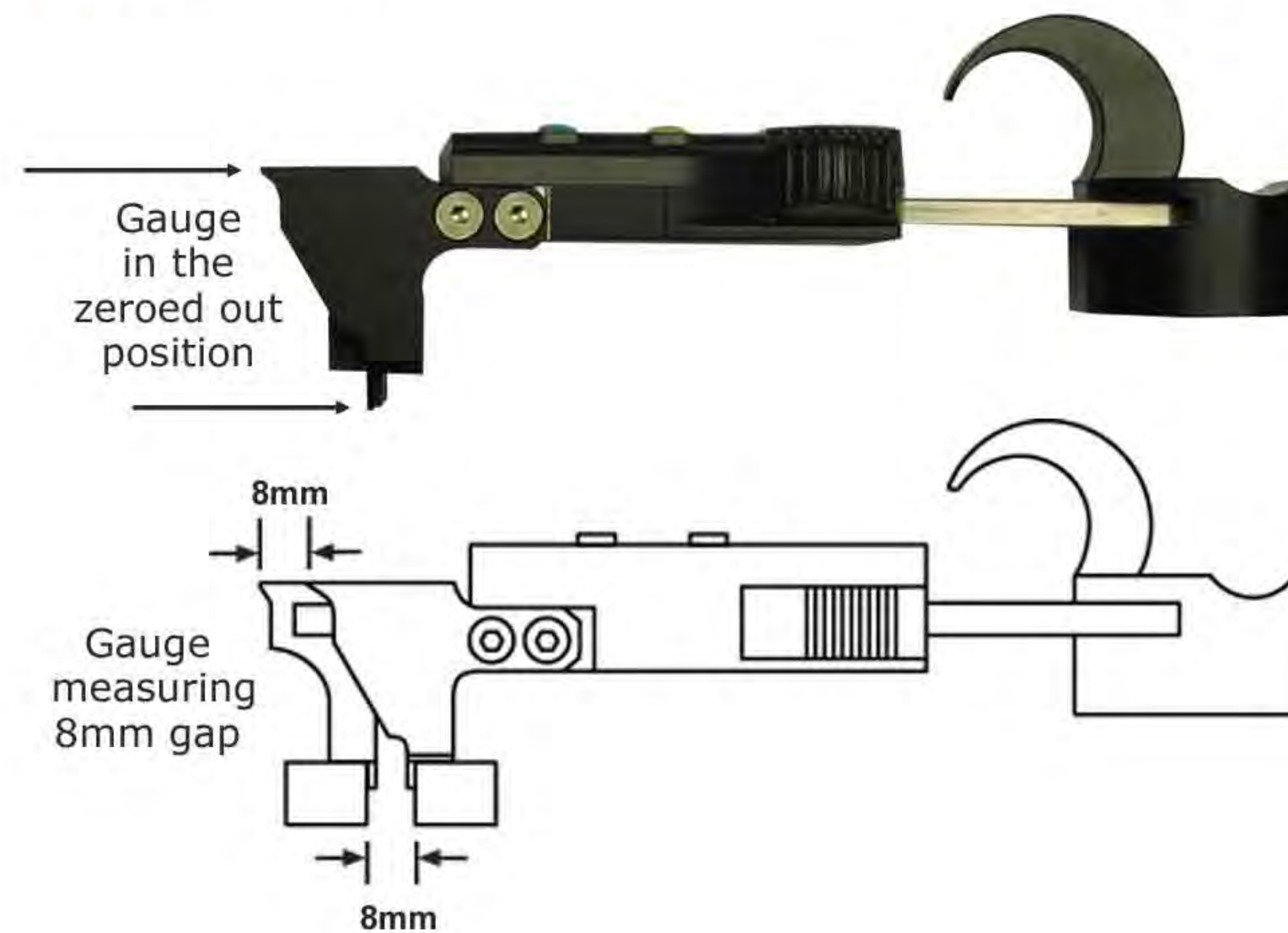
U.S. Patent No. 7,216,441 & Foreign Patents Pending



The ideal tool for measuring both flush and gap with one hand. The innovative new design allows the user to zero out for both gap and flush simultaneously.

- Measure panel to panel gap
- Measure panel to panel flush
- 3 flush measuring arms included
- Stable on uneven or curved surfaces
- Non-Marring
- Data transfer

GAPSG



## Specifications:

Gap Measuring Range: 1.00mm to 25.40mm  
 0.0395in. to 1.0000in.  
 Flush Measuring Range: -6.00mm to +25.40mm  
 -0.2360in to +1.0000  
 Resolution: 0.01mm / 0.0005in.  
 Accuracy: ±0.02mm / 0.001in.  
 Repeatability: 0.01mm / 0.0005in.

# B<sup>2</sup> GRIPGAUGE™

Patent Pending

- Ideal for measuring grip length with one hand
- Allows the user to read hole depth in the grip length format from Grip1 to Grip16



SECTION VIEW OF FUSALAGE

- Ergonomic design for measurements at any angle
- Durable construction for manufacturing environments
- Vibrant, easy to read dial marked in grip length\*
- Hardened measuring probe is flex resistant
- Color coordinated scale indicates inner and outer portions of the dial\*

GRIP-STND\*



GRIP-STND-DIGI  
 (Digital model reads in inch, metric or grip length)



## Specifications:

Depth Measuring Range: 0 to 1.0000in. / 25.4mm  
 Grip 1 to Grip 16\*  
 Min/Max Hole Diameter: 0.1875in. to 1.0000in.  
 4.76mm to 25.4mm.  
 Resolution: 0.02mm / 0.001in. 1/64in.\*

# ORIGINAL STEP GAUGE

U.S. Patent No. 7,216,441 & Foreign Patents Pending

- Measure checking fixture flushness
- Measure panel to panel flushness
- Stable on uneven or curved surfaces
- Non-Marring
- Data transfer



NMSG

## Specifications:

Measuring Range: 0 to +21mm 0 to -10mm  
 0 to 0.826in. 0 to -0.393in.  
 Resolution: 0.01mm / 0.0005in.  
 Accuracy: ±0.02mm / 0.001in.  
 Repeatability: 0.01mm / 0.0005in.